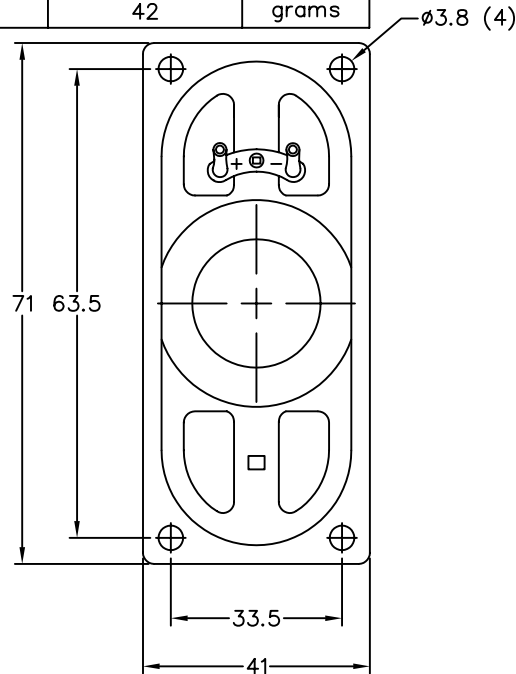


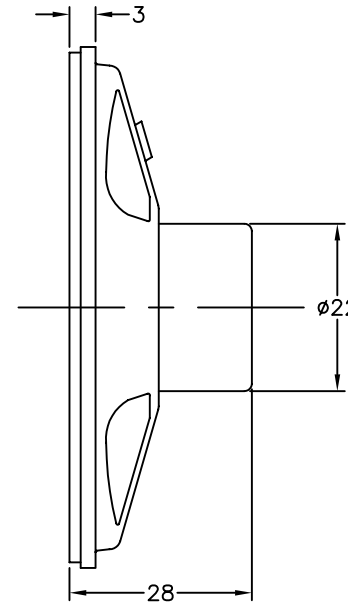
THIS DOCUMENT CONTAINS DATA PROPRIETARY TO PROJECTS UNLIMITED, INC. ANY USE OR REPRODUCTION, IN ANY FORM, WITHOUT PRIOR WRITTEN PERMISSION OF PROJECTS UNLIMITED, INC. IS PROHIBITED.
© 2003, Projects Unlimited Inc.

SPECIFICATIONS

PARAMETERS	VALUES	UNITS
RATED INPUT POWER	4	W
MAX INPUT POWER	6	W
IMPEDANCE	8±15%	OHM
OUTPUT SPL @ 1W/1M (AT 0.8, 1.0, 1.2, 1.5 kHz)	85±2	dBa
DISTORTION (MAX.)	7%	-
RESONANT FREQUENCY	350±20%	Hz
FREQUENCY RANGE	350 ~ 20,000	Hz
HOUSING MATERIAL	METAL	-
CONE MATERIAL	TREATED PAPER	-
MAGNET MATERIAL	Nd-Fe-B	-
OPERATING TEMPERATURE	-10 ~ +55	°C
WEIGHT	42	grams




REVISIONS			
LTR	DESCRIPTION	DATE	APPROVED
-	RELEASED FROM ENGINEERING	7/3/06	



NOTES:

1. ALL DIMENSIONS ARE IN MILLIMETERS.
2. SPECIFICATION SUBJECT TO CHANGE OR WITHDRAWAL WITHOUT NOTICE.
3. THIS PART IS RoHS 2002/95/EC COMPLIANT.
4. CONE TREATED FOR WATER RESISTANCE.

FILE NAME
AS07108PO-2-WR-R.DWG

UNLESS OTHERWISE SPECIFIED: DIMENSIONS ARE IN MILLIMETERS. TOLERANCES ARE ±0.5 AND ANGLES ARE ±3°.		 projects® unlimited Dayton, Ohio	
SPEAKER		DRAWING NO. AS07108PO-2-WR-R	
APPROVALS	DATE	SIZE A	SCALE: N.T.S.
DRAWN J.D.	7/06		
CHECKED E.P.	7/06		
APPROVED B.R.	7/06		
DO NOT SCALE DRAWING		SHEET 1 OF 1	